

نام:  
 نام خانوادگی:  
 محل امضاء:

صبح پنجشنبه

۹۱/۱۱/۱۹

اگر دانشگاه اصلاح شود مملکت اصلاح می شود.  
 امام خمینی (ره)

جمهوری اسلامی ایران  
 وزارت علوم، تحقیقات و فناوری  
 سازمان سنجش آموزش کشور

**آزمون ورودی دوره های کارشناسی ارشد ناپيوسته داخل - سال ۱۳۹۲**

**«مجموعه مهندسی فناوری اطلاعات» - کد ۱۲۷۶**

مدت پاسخگویی: ۱۸۰ دقیقه

تعداد سؤال: ۹۰

ردیف	مواد امتحانی	تعداد سؤال	از شماره	تا شماره
۱	زبان عمومی و تخصصی	۳۰	۱	۳۰
۲	دروس مشترک (ساختمان گسسته، ساختمان داده ها، طراحی الگوریتم، مهندسی نرم افزار، شبکه های کامپیوتری)	۳۰	۳۱	۶۰
۳	اصول و مبانی مدیریت	۶	۶۱	۶۶
۴	اصول طراحی پایگاه داده ها	۶	۶۷	۷۲
۵	هوش مصنوعی	۶	۷۳	۷۸
۶	سیستم های عامل	۶	۷۹	۸۴
۷	معماری کامپیوتر	۶	۸۵	۹۰

بهمن ماه سال ۱۳۹۱

استفاده از ماشین حساب مجاز نمی باشد.

**Part A: Vocabulary**

**Directions:** Choose the word or phrase (1) , (2) , (3) , or (4) that best completes each sentence. Then mark the correct choice on your answer sheet.

- 1- He is a man of ..... who has never abandoned his principles for the sake of making money.  
 1) utility                      2) integrity                      3) treaty                      4) acrimony
- 2- The loud sound of the radiator as it released steam became an increasingly annoying .....  
 1) interval                      2) perception                      3) zenith                      4) distraction
- 3- Jackson's poor typing skills were a ..... to finding employment at the nearby office complex.  
 1) hindrance                      2) supplement                      3) confirmation                      4) versatility
- 4- the judge dismissed the extraneous evidence because it was not ..... to the trial.  
 1) obedient                      2) treacherous                      3) pertinent                      4) vulnerable
- 5- Because biology is such a ..... subject, it is subdivided into separate branches for convenience of study.  
 1) deficient                      2) consistent                      3) broad                      4) mutual
- 6- In addition, physicians may have difficulty in deciding that an illness can be ..... the job. Many industrial diseases mimic sickness from other causes.  
 1) attributed to                      2) precluded from                      3) refrained from                      4) exposed to
- 7- Mechanics was one of the most highly developed sciences ..... in the Middle Ages.  
 1) extracted                      2) persisted                      3) resolved                      4) pursued
- 8- In the absence of death from other causes, all members of a population may exist in their environment until the ..... of senescence, which will cause a decline in the ability of individuals to survive.  
 1) ratio                      2) onset                      3) core                      4) output
- 9- Before the invention and diffusion of writing, translation was ..... and oral; persons professionally specializing in such work were called interpreters.  
 1) subsequent                      2) unilateral                      3) eventual                      4) instantaneous
- 10- Public attitudes toward business regulation are somewhat .....; most people resent intrusive government rules, yet they expect government to prevent businesses from defrauding or endangering them.  
 1) cogent                      2) emotional                      3) ambiguous                      4) indifferent

**Part B: Cloze Test**

**Directions:** Read the following passage and decide which choice (1) ,(2) ,(3) , or(4) best fits each space. Then mark the correct choice on your answer sheet.

The variety of successful dietary strategies (11) ..... by traditionally living populations provides an important perspective on the ongoing debate about how high – protein, low-carbohydrate regimens such as the Atkins diet compare with (12) ..... underscore complex carbohydrates and fat restriction. The fact that both these schemes produce weight loss is not surprising. (13) ..... both help people shed pounds through the same basic mechanism: (14) ..... major sources of calories. When you create an energy deficit – that is, when you consume fewer calories (15) ..... – your body begins burning its fat stores and you lose weight.

- 11- 1) employed                      2) ate employed                      3) is employed                      4) then employed
- 12- 1) those that                      2) the ones they                      3) that which                      4) they
- 13- 1) in fact                      2) although                      3) likewise                      4) because
- 14- 1) limit                      2) limiting                      3) which limit                      4) with limiting
- 15- 1) are expended                      2) that they are expended  
 3) than you expend                      4) to expend

**Passage 1:**

If you type into Google's search engine the question "how does Google work?", "google itself offers a curious explanation: PigeonRank. According to this obvious joke, Google uses clusters of trained pigeons to "compute the relative value of web passages faster than human editors or machine-based algorithms." Pigeons, they tell us, can spot minute differences between web pages and will peck when a relevant result appears on the screen. Pages with more pecks move to the top of the list. Google assures us that the pigeons are well treated and not overworked.

Two things are clear. Google wants the workings of its successful page-ranking search engine to remain secret, and Google does not mind if you believe pigeons are involved. Fooling aside, what actually accounts for Google's success? How does the search engine, in 0.04 seconds, find 46,000,000 pages relating to "Batman" and put the ones you are most likely to be interested in near the top of the list? How does Google make any money doing this?

The Google story begins in 1996 at Stanford university in California. Two graduate students, Larry page and Sergey Brin, wanted to find a better way to search websites. Current search engines ranked search results according to how frequently the search words appeared on a page. This approach had several disadvantages.

Users had to sort through too many listing to find relevant information, plus, people could trick search engines to get their page listed at the top of a search query. A user who types in "Batman" does not want to see an online news site at the top of the rankings. Larry page and Sergey Brin hypothesized that a page is more valuable if other sites link to it. If someone links to a page, then the page has at least some importance. If a very important website links to the page, that indicates even greater importance. So Brin and page designed a engine that could "crawl" the web, download every web page, and analyze its relevance using a secret, constantly changing formula. Pages with higher scores get listed toward the top.

**16- What can be the best title for this passage?**

- 1) Google Controversies
- 2) What Actually Accounts for Google's Success?
- 3) Google: A Brief History
- 4) Google's brilliant team

**17- According to the passage, Goolge's search engine .....**

- 1) gives priority to web pages with more pecks
- 2) has recently revealed that the secret of its success is PigeonRank
- 3) arranges search results on the basis of the frequency of the search words
- 4) uses trained human editor to evaluate its web pages

**18- The word "query" in line 18 is closest in meaning to .....**

- 1) survey
- 2) area
- 3) result
- 4) question

**19- It is stated in the passage that Larry Page and Sergey Bin .....**

- 1) designed a search engine that could use a fixed formula to compute the value of web pages
- 2) designed their search by sorting through listings to find relevant information
- 3) speculated that the more people or sites link to a web page the more important the page is
- 4) were satisfied with how search engines operated in the 1990's

**20- The word "ones" in line 11 refers to .....**

- 1) pigeons
- 2) pages
- 3) seconds
- 4) successes

**Passage 2:**

Telecommunications took a giant step forward in 1876 when a Scottish immigrant, Alexander Graham Bell, patented the first telephone in Boston. Unlike a telegraph, anyone could use a phone and communicate by voice rather than mechanical clicks. The telephone had great advantages for many people. First of all, businesspeople could communicate directly with their clients. There was no need to go through an operator. Second, newspaper reporters were able to phone in their stories quickly, so news traveled faster. In addition, families throughout the country could stay in touch. It's no wonder that telephone lines replaced telegraph lines, and telephone calls took the place of telegraph messages.

In 1957 the Russians sent the first man-made satellite, Sputnik, into space, and word of telecommunications changed again. Soon after, space satellites could transmit, or send, telephone signals to just about anywhere in the world. This marked the beginning of global telecommunications. Talking to people across the globe became as easy as telephoning someone across the street.

In 1969, using satellite communications and telephone lines, U.S. government scientists in the Advanced Research Project Agency (ARPA) started a telecommunications revolution. By linking, or connecting, computers, the scientists created the ARPANET. This system allowed researchers at one university to access, or see and use, information from computers at other universities. They also used the system to share research results and ideas. ARPANET was the start of the Internet. Using ARPANET, scientists also found a way to send written messages from one computer to another, thus inventing (e-mail) in 1971. When the general public started using the Internet, e-mail become an important means of communication. Not only was e-mail faster than traditional mail, but it also made it possible to communicate with hundreds of people at the same time.

**21- What is the passage mainly about?**

- 1) Advantages of the telephone over the telegraph
- 2) A history of advances in telecommunications
- 3) How the general public, businesses, and universities benefit telecommunications
- 4) Recent revolutions in the world of telecommunications

**22- Which of the following is not mentioned as an advantage of the telephone?**

- 1) Its usefulness in developing news stories
- 2) Its use in quick reporting of news items
- 3) Its usefulness in helping families keep in touch
- 4) Its ease of use for businesspeople

**23- The word 'this' in line 11 refers to .....**

- 1) sending telephone signals
- 2) sending Sputnik into space
- 3) transmitting telephone signals through space satellites
- 4) talking to people around the world

**24- According to the passage, the ARPANET .....**

- 1) had no more need of satellite communications and telephone lines
- 2) had been used for sending oral messages for long before it was used to send written messages
- 3) marked the beginning of information sharing at universities
- 4) preceded the Internet and electronic mail

**25- The paragraph following this passage most probably deals with .....**

- 1) advantages of e-mail over traditional mail
- 2) more recent developments in telecommunications
- 3) more important means of communications
- 4) what the future holds for telecommunication

**Passage 3:**

The ingestible sensor networked wellness system is composed of an edible sensor system along with a wearable health monitor. The size of the sensor scheme within this system resembles a grain of sand measuring 1mm square. Only two drug-sensor form factors were developed and examined in clinical trials. One is an edible sensor that is right on top of the tablet using a pharmaceutical edible adhesive material; and the other one is formed as a tablet, capsule, or powder that can be carried in the body with a special sensor-enabled capsule carrier with a capsule body.

The sensor system includes a silicon integrated circuit (IC) in the center of a friable disc that helps to crumble in the digestive system. The IC is covered with copper salt on one side and magnesium on the other for the material that make the edible sensor to be as light as 5mg. the reason for this selection is because copper and magnesium are both minerals that are present in human diet and are extremely light. Interestingly, this device does not need a power supply or a battery for its activation. The voltage produced by electrochemical redox of copper and magnesium in the human body activates the IC; then the IC regulates the current and modules a specific rate that causes a time-varying electric potential throughout the body.

There is unique identifying information that is like serial number encoded on the IC where the wearable health monitor – a miniaturized skin-patch device – can detect, interpret, and record the data approximately in 7 minutes. This data is not detectable by anyone else besides the patient; meaning, the process is within the body and completely secure. This device can communicate with the edible sensor in the body and report certain physiological parameters.

The wearable health monitor is placed in the patient's body utilizing biocompatible electrocardiogram (ECG) -style Ag-AgCl electrodes. Moreover, the monitor can assess the impedance across the electrode by applying a low-amplitude, alternating current and measuring the resulting voltage. Also, the circuitry can produce low frequency bio-potentials that are sampled to produce an ECG signal for heart rate assessment. This wellness system can also use a set of peripheral wireless devices for metrics such as blood pressure and body weight.

**26- What is the best title for this passage?**

- 1) Form factors of edible ICs inside the pills as a health device
- 2) Ingestible sensor pills system for the next human generation
- 3) Drug-sensor networked wellness system for humans and animals
- 4) Edible networked wellness system device for drug therapy

**27- What is the size of the sensor system?**

- 1) Similar to size of a grain of a sand
- 2) Similar to the size of a small grain
- 3) The same size as a tablet
- 4) The same size as a fabric disc

**28- Which of the following statements is NOT true about sensor for factors?**

- 1) It could be in the form of a capsule that can carried in the body with a special carrier
- 2) It could be on top of a tablet using a medicinal edible adhesive material
- 3) It is produced in one form which is developed and examined in clinical trials
- 4) It is developed in a couple of form factors, one stuck to the tablet, the other as a capsule

**29- Which of the following statements is true according to the passage?**

- 1) Integrated circuit within the sensor is edible
- 2) Sensor networked wellness system only use wireless devices
- 3) Monitor's circuitry produces high frequency bio-potentials
- 4) The sensor is activated using a special battery

**30- The wearable health monitor in this system .....**

- 1) can detect, interpret, and record the data in 7 ms
- 2) is not designed to communicate with the sensor
- 3) is not utilizing electrocardiogram style electrode
- 4) is made of a miniaturized skin-patch device

۳۱- به چند روش می‌توان حروف کلمه‌ی CORRESPONDENTS را مرتب کرد به طوری که دست‌کم سه زوج از حروف یکسان متوالی وجود داشته باشد؟

(۱)  $103 \times 11!$  (۲)  $206 \times 9!$  (۳)  $206 \times 10!$  (۴)  $103 \times 9!$

۳۲- تابع یک‌به‌یک  $f: \{1, 2, 3, \dots, n\} \rightarrow \{1, 2, 3, \dots, n\}$  یک جایگشت نامیده می‌شود. در صورتی که نابرابری‌های  $f(3) < f(4), f(2) > f(3), f(1) < f(2)$  به ترتیب برای همه مقادیر دامنه این تابع تا  $n-1$  و  $n$  برقرار باشند، چنین جایگشتی یک جایگشت صعود / نزول نامیده می‌شود. فرض کنیم  $E_n$  تعداد جایگشت‌های صعود/نزول برای  $1, 2, 3, \dots, n$  باشد. کدام گزینه نادرست است؟

(۱)  $E_3 = 2$

(۲)  $E_6 = 61$

(۳)  $E_7 = 270$

۳۱- در هر جایگشت صعود / نزول برای  $1, 2, 3, \dots, n$  عدد  $n$  در موقعیت  $2i$  قرار دارد که در آن  $\left\lfloor \frac{n}{2} \right\rfloor \leq i \leq \left\lceil \frac{n}{2} \right\rceil$  کوچک‌ترین عدد صحیح

کوچک‌تر یا مساوی  $\frac{n}{2}$  است.

۳۳- کدام گزینه نادرست است؟

(۱) اگر  $G$  گراف جهت‌دار برای رابطه مرتب کلی  $R$  روی  $A$  باشد و مجموعه  $A$  دارای  $n$  عضو باشد،  $\frac{n^2 + n}{2}$  یال در  $G$  وجود دارد.

(۲) اگر  $(A, R)$  یک مجموعه مرتب جزئی بوده ولی مرتب کلی نباشد و  $Q \neq B \subset A$  آن‌گاه  $(B, (B \times B) \cap R)$  ممکن است مرتب کلی باشد.

(۳) در صورتی که  $p$  و  $q$  دو عدد اول متمایز باشند، تعداد یال‌های موجود در نمودار هاسه (Hasse) مقسوم‌علیه‌های مثبت  $p^3q^2$  برابر ۱۹ است.

(۴) اگر  $(A, R_1)$  و  $(B, R_2)$  دو مجموعه مرتب جزئی بوده و  $R$  روی  $A \times B$  به صورت  $(a, b)R(x, y)$  اگر و فقط اگر  $aR_1x$  و  $bR_2y$  تعریف شود، آن‌گاه  $R$  یک رابطه ترتیب جزئی است.

۳۴- کدام گزینه درست است؟

(۱) هر گراف بدون جهت  $G = (V, E)$  که در آن  $|V| = |E| + 1$  یک درخت است.

(۲) بیشینه تعداد رئوس داخلی یک درخت کامل چهارتایی (quaternary) با ارتفاع ۸ برابر ۲۱۶۴۵ است.

(۳) اگر  $T = (V, E)$  درختی با  $|V| = 10$  رأس باشد، دقیقاً ۳۰ مسیر در آن یافت می‌شود.

(۴) درخت سه‌تایی (Ternary) کامل  $T = (V, E)$  دارای ۳۴ رأس داخلی است. در این صورت تعداد یال‌های آن ۱۰۲ است.

۳۵- می‌خواهیم ترتیبی از سکه‌های یک شکل روی ردیفی از  $n$  سکه مجاور و متصل به هم ایجاد کنیم. سکه‌هایی که در پایین‌ترین ردیف قرار ندارند. بر روی دو سکه زیر خود قرار می‌گیرند و اینکه سکه به پشت قرار گرفته است یا رو مهم نیست. اگر  $a_n$  تعداد این

ترتیب‌ها برای ردیفی از  $n$  سکه مجاور و متصل بوده و  $f(x) = \sum_{n=0}^{\infty} a_n x^n$  تابع مولد آن باشد، کدام رابطه درست است؟

(۱)  $f(x) = \frac{1 - \sqrt{1 - 4x}}{2x}$  (۲)  $f(x) = \frac{1 - \sqrt{1 - 2x}}{4x}$  (۳)  $f(x) = \frac{1 + \sqrt{1 - 4x}}{2x}$  (۴)  $f(x) = \frac{1 + \sqrt{1 - 2x}}{4x}$

۳۶- کدام دنباله پاسخ معادله بازگشتی  $a_{n+3} - 3a_{n+2} + 3a_{n+1} - a_n = 3 + 5n$  برای  $n \geq 0$  است؟

(۱)  $a_n = A + Bn + Cn^2 + \left(\frac{3}{4}\right)n^3 - \left(\frac{5}{24}\right)n^4 - \left(\frac{3}{8}\right)n^5$

(۲)  $a_n = A + Bn + Cn^2 - \left(\frac{3}{4}\right)n^3 + \left(\frac{5}{24}\right)n^4$

(۳)  $a_n = A + Bn + Cn^2 - \left(\frac{3}{4}\right)n^3 + \left(\frac{5}{24}\right)n^4 + \left(\frac{3}{8}\right)n^5$

(۴)  $a_n = A + Bn + Cn^2 + \left(\frac{3}{4}\right)n^3 - \left(\frac{5}{24}\right)n^4$

۳۷- داده ساختار  $D$  یک درخت دودویی کامل است که اعداد دل‌خواه  $a_1, \dots, a_n$  را در برگ‌های خود ذخیره می‌کند. (درخت دودویی کامل درختی است که اگر برگ‌های سطح آخر آن را برداریم، درخت باقی‌مانده پر یعنی کامل و کاملاً متوازن، خواهد بود و برگ‌های سطح آخر آن به صورت متوالی از چپ به راست قرار دارند. هرم یا heap چنین ساختاری دارد.) هم‌چنین می‌دانیم که هر گروه داخلی فقط مقدار کوچک‌ترین عدد دو فرزندش را ذخیره می‌کند.

چند تا از اعمال زیر را می‌توان در این داده ساختار در مرتبه‌ی  $O(\lg n)$  انجام داد؟

حذف یک عنصر دل‌خواه از  $D$

درج یک عنصر دل‌خواه در  $D$

کاهش مقدار یک عنصر موجود در  $D$

(۱) صفر (۲) ۱ (۳) ۲ (۴) ۳

۳۸- چه تعداد از الگوریتم‌های زیر هر آرایه‌ی متشکل از  $n$  عدد را به صورت صعودی مرتب می‌کند؟

ابتدا  $2n/3$  عنصر اول را به صورت صعودی مرتب کن، سپس  $2n/3$  عنصر آخر را به صورت صعودی مرتب کن. در پایان  $n/3$  عنصر اول را دوباره به صورت صعودی مرتب کن.

ابتدا  $n/2$  عنصر اول را به صورت صعودی مرتب کن، سپس عناصر بین  $n/4$  و  $3n/4$  را به صورت صعودی مرتب کن. در پایان  $n/3$  عنصر اول را دوباره به صورت صعودی مرتب کن.

ابتدا عناصر بین  $n/3$  و  $2n/3$  را به صورت صعودی مرتب کن، سپس  $n/2$  عنصر اول را به صورت صعودی مرتب کن. در پایان  $n/2$  عنصر آخر را دوباره به صورت صعودی مرتب کن.

ابتدا  $2n/3$  عنصر اول را به صورت صعودی مرتب کن، سپس  $2n/3$  عنصر آخر را به صورت صعودی مرتب کن. در پایان  $2n/3$  عنصر اول را دوباره به صورت صعودی مرتب کن.

(۱) ۱ (۲) ۲ (۳) ۳ (۴) ۴

۳۹- دو آرایه‌ی مرتب  $A$  و  $B$  به ترتیب با طول‌های  $n$  و  $m$  داده شده‌اند. می‌خواهیم میانه‌ی  $A \cup B$  را به دست آوریم. برای این کار الگوریتم زیر را پیشنهاد می‌کنیم:

(۱) فرض کنید  $k[n/2]$

(۲) عنصر میانه‌ی  $A$  به نام  $x$  را به دست آور.

(۳) با یک جست‌وجوی دودویی اندیسی از  $B$  به نام  $i$  را به دست آور که همه‌ی عناصر  $B[1..i]$  از  $x$  کم‌تر و بقیه بیش‌تر یا مساوی  $x$  باشند.

(۴) فرض کنید  $(n+m)/2$

(۵) اگر  $x < [n/2] + i$  به طور بازگشتی  $r$  امین عنصر را بین  $A[1..[n/2]]$  و  $B[1..i]$  به دست آور.

(۶) وگرنه به طور بازگشتی  $k-r$  امین عنصر را بین  $A[k1..u]$  و  $B[i+1..m]$  به دست آور.

کدام‌یک از رابطه‌های بازگشتی زیر، زمان اجرای این الگوریتم را نشان می‌دهد؟

(۱)  $T(n, m) + T(n/2, m) + \lg m + O(1)$

(۲)  $T(n, m) + T(n, m/2) + \lg m + O(1)$

(۳)  $T(n, m) + T(n/2, m/2) + \lg m + O(1)$

(۴)  $T(n, m) + T(n/2, m/2) + \lg(n+m) + O(1)$

۴۰- کدام‌یک از دنباله‌های زیر می‌تواند پیمایش پیش‌ترتیب یک درخت دودویی جست‌وجو با ۱۲ گره باشد؟

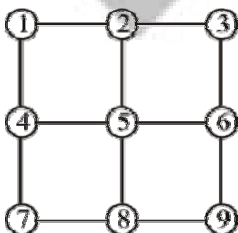
(۱)  $\langle 12, 8, 5, 10, 9, 20, 14, 15, 18, 13, 16, 19 \rangle$

(۲)  $\langle 12, 8, 5, 10, 9, 20, 14, 13, 18, 15, 16, 19 \rangle$

(۳)  $\langle 20, 14, 13, 12, 8, 5, 9, 10, 18, 19, 15, 16 \rangle$

(۴)  $\langle 20, 14, 13, 12, 8, 5, 9, 10, 18, 19, 15, 16 \rangle$

۴۱- کدام‌یک از دنباله‌های زیر نمی‌تواند بیانگر ترتیب ملاقات گره‌های گراف شکل مقابل توسط الگوریتم جست‌وجوی عمق اول (DFS) باشد.



(۱) از چپ به راست: 1, 4, 7, 8, 9, 6, 5, 2, 3

(۲) از چپ به راست: 1, 2, 3, 6, 9, 8, 7, 4, 5

(۳) از چپ به راست: 1, 2, 4, 3, 5, 7, 6, 8, 9

(۴) از چپ به راست: 1, 2, 3, 6, 5, 4, 7, 8, 9

۴۲- مسئله‌ی «چند مرتبه‌ی آماری» به صورت زیر است. آرایه‌ی  $A$  با  $n$  عنصر نامرتب و دنباله‌ی  $S = \langle i_1, \dots, i_k \rangle$  داده شده است. هدف یافتن به ترتیب عناصر  $i_1, \dots, i_k$  است. تا عنصر  $i_k$  از  $A$  پیدا شود، هدف یافتن عنصر کمینه و سپس عنصر میانه‌ی آرایه‌ی  $A$  است.

زمان اجرای دو مسئله‌ی  $S_1 = \langle 1, 2, \dots, k \rangle$  و نیز  $S_2 = \langle n/2, n/4, n/8, \dots, 1 \rangle$  کدام است؟

(۱)  $S_1$  در  $O(n \log k)$  و  $S_2$  در  $O(n \log n)$  (۲)  $S_1$  در  $O(n + k \log k)$  و  $S_2$  در  $O(n)$

(۳)  $S_1$  در  $O(k \log n)$  و  $S_2$  در  $O(n)$  (۴)  $S_1$  در  $O(n + k \log k)$  و  $S_2$  در  $O(n \log n)$

۴۳- با چه الگوریتم بهینه‌ای می‌توان در یک گراف دوری به طول زوج به دست آورد. گزینه‌ی با پیچیدگی زمانی بهینه را انتخاب کنید.

(۱) BFS (۲) DFS با  $n$  بار (۳) BFS با  $n$  بار (۴) Floyd

۴۴-  $n$  گوی باردار را در نظر بگیرید ( $n$  فرد است) هم‌چنین می‌دانیم که تعداد گوی‌های با بار مثبت زوج است. در هر عمل می‌توانیم دو گوی را انتخاب و به هم نزدیک کنیم و هم‌نوع بودن (از نظر بار) آن‌ها را دریابیم. برای آن که بار (مثبت یا منفی) همه‌ی گوی‌ها را بیابیم، انجام دست‌کم چه تعداد عمل ضروری است؟

(۱)  $2n-1$  (۲)  $n/2$  (۳)  $n-1$  (۴)  $3n/2$

۴۵- دنباله‌ی  $A = \langle a_1, a_2, \dots, a_n \rangle$  عدد داده شده است. یک الگوریتم کارا برای یافتن طولانی‌ترین زیردنباله‌ی متوالی اکیداً صعودی  $A$  از چه مرتبه‌ای است؟  $B = \langle b_1, b_2, \dots, b_k \rangle$  زیردنباله‌ی  $A$  است اگر وجود داشته باشد  $1 \leq i \leq n-k$  که برای  $1 \leq j \leq k$  داشته باشیم  $b_j - a_{j-i} > 0$ .

(۱) با برنامه‌ریزی پویا در  $\Theta(n^2)$  (۲) با برنامه‌ریزی پویا در  $\Theta(n^3)$

(۳) به روش حریصانه در  $\Theta(n^2)$  (۴)  $\Theta(n)$

۴۶-  $n$  پروژه داریم که به هر کدام یک زمان شروع، یک زمان پایان و یک ارزش نسبت داده شده است. پردازنده‌ای را نیز در اختیار داریم که در هر لحظه می‌تواند یک پروژه را اجرا کند. می‌خواهیم تعدادی پروژه با بیش‌ترین سود (مجموع ارزش) را انتخاب کنیم که بازه‌ی اجرای آن‌ها با هم هم‌پوشانی نداشته باشند. برای این کار، از یک الگوریتم حریصانه استفاده می‌کنیم که بر اساس «اولویت» پروژه‌ها کار می‌کند. در هر گام پروژه‌ی با بیش‌ترین اولویت مورد بررسی قرار می‌گیرد. اگر این پروژه با پروژه‌های انتخاب شده هم‌پوشانی نداشته باشد، انتخاب و گرنه از آن صرف‌نظر می‌شود. با کدام‌یک از اولویت‌های زیر سود بیشینه به دست می‌آید؟

(۱) زمان شروع پروژه‌ها (۲) زمان پایان پروژه‌ها (۳) ارزش پروژه‌ها (۴) هیچ‌کدام

۴۷- کدام‌یک از گزاره‌های زیر در فشرده‌سازی هافمن درست و کدام‌یک نادرست است؟

(الف) اگر فراوانی نویسه‌ای بیش از  $\frac{2}{5}$  باشد، طول کد این نویسه ۱ خواهد بود.

(ب) اگر فراوانی همه‌ی نویسه‌ها کم‌تر از  $\frac{1}{3}$  باشد، طول کد همه‌ی نویسه‌ها بیش از ۱ خواهد بود.

(۱) الف: نادرست، ب: نادرست (۲) الف: درست، ب: نادرست (۳) الف: درست، ب: درست (۴) الف: نادرست، ب: درست

۴۸- «عدد گلوگاهی» یک گراف ساده، هم‌بند، بدون جهت و وزن دار، بزرگ‌ترین عدد  $b$ ‌ای است به طوری که به ازای هر دو رأس، مسیری بین این دو گراف موجود باشد که وزن هر یال در آن مسیر از  $b$  کم‌تر نباشد. کدام‌یک از گزینه‌های زیر درست است؟

(۱) عدد گلوگاهی برابر وزن سبک‌ترین یال در گراف است.

(۲) در صورت یکتا بودن یال با وزن عدد گلوگاهی، آن یال در درخت فراگیر بیشینه خواهد بود.

(۳) در صورت یکتا بودن یال با وزن عدد گلوگاهی، آن یال در درخت فراگیر کمینه خواهد بود.

(۴) عدد گلوگاهی نمی‌تواند برابر بیش‌ترین وزن یال‌ها در گراف باشد.

۴۹- کدام‌یک از روش‌های آزمون زیر، روشی معمول برای آزمون سیستم (System Testing) است؟

(۱) آزمون حلقه‌های تکرار (Loop Testing) (۲) آزمون دود (Smoke Testing)

(۳) آزمون بازیابی (Recovery Testing) (۴) آزمون جریان داده (Data Flow Testing)

۵۰- کدام‌یک از موارد زیر، کاربرد اصلی روش CRC (Class – Responsibility – Collaborator) است؟

(۱) تشخیص کلاس‌ها (۲) تشخیص روابط توارث بین کلاس‌ها

(۳) تشخیص روابط کل - جزء بین کلاس‌ها (۴) تشخیص ترتیب تبادل پیغام‌ها بین کلاس‌ها

۵۱- تعیین مسیر بحرانی، در کدام یک از روش‌های زیر یک فعالیت اصلی است؟

- (۱) روش آزمون مسیره‌های پایه  
(۲) روش آزمون مبتنی بر سناریو  
(۳) روش ارزیابی و بازیابی برنامه (PERT)  
(۴) روش مدل‌سازی نهاد - رابطه (ER)
- ۵۲- در بین انواع انسجام (Cohesion) که در زیر فهرست شده‌اند، کدام یک از همه مطلوب‌تر است؟
- (۱) انسجام منطقی (Logical)  
(۲) انسجام زمانی (Temporal)  
(۳) انسجام تصادفی (Coincidental)  
(۴) انسجام ارتباطی (Communicational)

۵۳- در نمودارهای جریان داده (DFD)، کدام یک از موارد زیر صادق است؟

- (۱) جریان داده باعث انتقال کنترل هم می‌شود.  
(۲) نمایش ذخیره و بازیابی داده‌ها مطرح نیست، بلکه فقط داده‌های در جریان نشان داده می‌شوند.  
(۳) ترتیب اجرای فرایندها (حباب‌ها) صریحاً مشخص نمی‌شود.  
(۴) برخی ورودی‌ها یا خروجی‌ها یک فرآیند سطح بالا (غیربرگ) را می‌توان به نمودار متناظر با آن فرآیند (در سطح پایین‌تر) حذف نمود.

۵۴- کدام یک از نمودارهای UML زیر، نوعاً شیء‌گرا (یعنی مبتنی بر مفاهیم خاص شیء‌گرایی) نیست؟

- (۱) نمودار مورد کاربرد (Use Case)  
(۲) نمودار ترتیب (Sequence)  
(۳) نمودار رده (Class)  
(۴) نمودار ارتباط (Communication)

۵۵- اگر از روش سرکشی (Polling) برای به اشتراک‌گذاری پیوندی با سرعت ۱ مگابیت بر ثانیه بین ۱۰۰ ایستگاه استفاده شده باشد. با فرض این‌که به طور متوسط در هر دور سرکشی ۴۰ درصد ایستگاه‌ها فعال هستند و زمان سرکشی هر ایستگاه ۱۰ درصد زمان ارسال یک فریم است. متوسط ظرفیت ارسال هر ایستگاه بر حسب کیلوبیت بر ثانیه چقدر است؟

- (۱) ۸  
(۲) ۲۲/۵  
(۳) ۹  
(۴) ۲۵

۵۶- در محاسبه زمان Timeout در پروتکل TCP اگر مقادیر قبلی  $t_{RTT}$  و  $d_{RTT}$  به ترتیب برابر با ۹۶ و ۲۰ میلی‌ثانیه باشند و آخرین زمان رفت و برگشت ۱۲۰ میلی‌ثانیه باشد. مقدار جدید Time Out محاسبه شده چند میلی‌ثانیه است؟

- (۱) ۱۱۹  
(۲) ۱۸۰  
(۳) ۱۴۴  
(۴) ۲۰۱

۵۷- همه موارد زیر، در خصوص روش‌های کنترل ازدحام پیشگیرانه (Preventive) یا حلقه باز صحیح است، به جز:

- (۱) نیاز به روش‌های کنترل پذیرش اتصال (CAC) است.  
(۲) نیاز به روش کنترل و نظارت بر ترافیک (Traffic Policing) است.  
(۳) نیاز به روش‌های دریافت بازخورد (Feedback) است.  
(۴) بهتر است از روش‌های شکل‌دهی ترافیک (Traffic Shaping) استفاده شود.

۵۸- فرض کنید شخصی در مرورگر وب خود روی یک لینک برای دریافت یک صفحه وب کلیک می‌کند. اگر آدرس IP مربوط به این URL در میزبان به صورت محلی وجود داشته باشد و فایل HTML مرتبط با این لینک دارای هشت Object باشد، در صورتی که زمان رفت و برگشت بین سرویس گیرنده و سرویس‌دهنده ۱۰۰ میلی‌ثانیه و زمان ارسال Objectها ناچیز باشد، به ترتیب با استفاده از پروتکل Non-persistent HTTP و HTTP Persistent از زمانی که شخص روی لینک کلیک می‌کند تا زمانی که صفحه وب را به طور کامل دریافت می‌کند بر حسب میلی‌ثانیه چقدر طول می‌کشد؟

- (۱) ۱۸۰۰ و ۹۰۰  
(۲) ۳۰۰ و ۹۰۰  
(۳) ۳۰۰ و ۱۸۰۰  
(۴) ۳۰۰ و ۱۰۰

۵۹- دو گره که از طریق یک پیوند ارتباطی با پهنای باند ۱ مگابیت بر ثانیه و تأخیر انتشار ۱۳۰ میلی‌ثانیه به هم متصل هستند، برای کنترل خطا از روش Goback N ARQ با شماره ترتیب ۳ بیتی استفاده می‌کنند. اگر اندازه هر فریم ۲۵۰۰ بایت و نرخ خطا هر فریم ۰/۰۰۱ باشد آن‌گاه حداکثر نرخ ارسال مؤثر در این پیوند بر حسب کیلوبیت بر ثانیه تقریباً برابر است با:

- (۱) ۱۰۰۰  
(۲) ۵۰۰  
(۳) ۷۵۰  
(۴) ۲۵۰

۶۰- کدام یک از گزینه‌های زیر نادرست است؟ پروتکل مسیریابی OSPF .....

- (۱) هزینه مسیر را بر اساس تعداد گام تعیین می‌کند.  
(۲) بر اساس الگوریتم وضعیت پیوند کار می‌کند.  
(۳) از نوع پروتکل‌های داخل ناحیه است.  
(۴) از نوع پروتکل‌های IGP است.



۶۱- ویژگی بارز «روش مقیاس رتبه‌بندی رفتاری» از روش‌های ارزیابی عملکرد کدام است؟

- (۱) نمونه غنی مبتنی بر افکار
  - (۲) سادگی کاربرد
  - (۳) تمرکز بر اهداف نهایی و نتیجه‌گرا
  - (۴) تمرکز بر رفتارهای شغلی ویژه و سنجش‌پذیر
- ۶۲- در انواع روش‌های ارزیابی عملکرد کدام یک، زمان کم‌تری را نسبت به دیگر روش‌ها به خود اختصاص می‌دهد؟
- (۱) تثبیت وقایع حساس
  - (۲) گزارش فعالیت
  - (۳) مقیاس رتبه‌بندی ترسیمی
  - (۴) مقیاس رتبه‌بندی رفتاری

۶۳- استعاره «آب‌های آرام» و «آب‌های خروشان» بیش‌تر در کدام یک مصداق دارد؟

- (۱) مدیریت تغییر و نوآوری
- (۲) فرآیند طراحی ساختار
- (۳) تکنولوژی و طراحی فرآیندهای کار
- (۴) ارتباطات و مهارت‌های میان فردی

۶۴- در ارتباط با توسعه و آموزش کدام یک نادرست است؟

- (۱) توسعه کارمند با مهارت‌های سطح بالاتر، دانش یا توانایی کارمند در ارتباط است.
- (۲) شیوه‌های ارائه برنامه‌های توسعه کارمند مشابه روش‌های آموزش است.
- (۳) آموزش با مهارت‌های تحلیلی، انسانی، ادراکی، سیاسی و مهارت‌های ویژه در ارتباط است.
- (۴) آموزش کارمند بر مهارت‌های مورد نیاز برای انجام درست کار تأکید دارد، اما توسعه کارمند بیش‌تر مبتنی بر آینده است.

۶۵- نقطه شروع تعیین نیازهای آموزشی چیست؟

- (۱) اهداف استراتژیک سازمان
- (۲) انتخاب مدرسین
- (۳) ارزیابی دوره‌های آموزشی پیشین
- (۴) تهیه ابزارها و وسایل دوره‌های آموزشی

۶۶- کدام گزینه به روش‌های آموزش حین کار اشاره دارد؟

- (۱) گردش کاری، کارآموزی
- (۲) سخنرانی کلاسی، فیلم و ویدیو، کارآموزی
- (۳) تمرینات شبیه‌سازی، گردش کاری، کارآموزی
- (۴) هر سه گزینه بیانگر روش‌های آموزش حین کار هستند.

۶۷- کدام یک نشان‌دهنده گزینه‌های تعدیل نیرو است؟

- (۱) تقویت منفی، خاموش‌سازی، تنبیه
- (۲) تقویت منفی، تنبیه، اخراج
- (۳) اخراج، بیکاری، عدم انتصاب، انتقال، کاهش کار هفتگی و بازنشستگی بیش از موعد مشاغل مشترک
- (۴) هر سه گزینه صحیح است.

۶۸- رابطه بین اهداف یک سازمان و ساختار آن به وسیله کدام جمله تشریح می‌شود؟

- (۱) استراتژی سازمان از ساختار آن پیروی می‌کند.
- (۲) ساختار سازمان از استراتژی آن تبعیت می‌کند.
- (۳) طراحی و ایجاد ساختار سازمان، اهداف سازمان را شکل می‌دهد.
- (۴) هماهنگی در سازمان، ساختار سازمان و تصمیم‌گیری‌ها را شکل می‌دهد.

۶۹- شرایط لازم برای یک تصمیم‌گیری در جهت حل یک مسأله عبارت است از:

- (۱) ایجاد شرایط اطمینان
- (۲) تعریف صحیح مسأله
- (۳) ارائه یک راه‌حل منطقی
- (۴) ارائه و توسعه گزینه‌های مختلف

۷۰- مزیت اصلی مدیریت بر مبنای هدف (MBO) برای سازمان‌ها احتمالاً این است که نتیجه آن موجب:

- (۱) تعیین اهداف واقعی‌تر می‌شود.
- (۲) رشد گرایش عدم تمرکز می‌شود.
- (۳) بهبود روابط متقابل می‌شود.
- (۴) تعیین شرح مشاغل مشخص‌تر می‌شود.

۷۱- با توجه به نظریه هرزبرگ کدام یک از موارد زیر یک عامل بهداشتی است؟

- (۱) پیشرفت
- (۲) حقوق
- (۳) مسئولیت
- (۴) شرایط ارتقاء عمودی

۷۲- ویژگی‌های عمده رهبران کاریزماتیک، کدام است؟

- (۱) رفتار نامعمول، قدرت بیان، اعتماد به نفس، عامل تغییر، حساسیت محیطی
- (۲) اصالت، شایستگی، ثبات رویه، وفاداری، صداقت
- (۳) رفتار معمول، قدرت بیان، اعتماد به نفس، اصالت، شایستگی، ثبات رویه
- (۴) شایستگی، عامل تغییر، قدرت بیان، ثبات رویه، رفتار نامعمول، حساسیت محیطی

۷۳- نقطه پایانی مأموریت سازمان ..... آن است.

(۱) خط‌مشی‌ها (۲) برنامه عملیاتی (۳) استراتژی‌ها (۴) اهداف

۷۴- هدف در برنامه‌ریزی عملیاتی باید دارای چه خصوصیتی باشد؟

(۱) مشخص و ریز شده (۲) مبهم و کلی  
(۳) کلان ولی استراتژیک (۴) مشخص، جزئی بودن، قابل سنجش و واقع‌بینانه

۷۵- این نظریه به شرایطی برمی‌گردد که در آن اشخاص مورد احترام و حمایت هستند و شامل آزادی‌ها و امتیازات فردی می‌شود هم‌چون حقوق شخصی، آرامش وجدان، آزادی کلام و مسائلی از این قبیل.

(۱) نظریه عدالت در اخلاقیات (۲) نظریه حقوق اخلاقیات  
(۳) نظریه سودگرایی در اخلاقیات (۴) هیچ‌کدام



۷۶- کدام یک از گزینه‌های زیر برای رابطه Booking و وابستگی‌های تابعی داده شده آن که اطلاعات رزرو اتاق در یک هتل را نگهداری می‌کنند، غلط است؟

Booking (guest ID, guest Name, creditCard, room No, room Cat, from, to)

$F = \{$

- 1) guest ID  $\rightarrow$  guesName, creditcard
  - 2) roomNo  $\rightarrow$  room Cat
  - 3) room No, from  $\rightarrow$  guestID, to
  - 4) room No, to  $\rightarrow$  guestID, from
- $\}$

(۱) این رابطه در هیچ‌یک از نرمال فرم‌های 2NF, 3NF و BCNF نیست.

(۲) دو وابستگی تابعی سوم و چهارم باعث نقض شدن 3NF در رابطه نمی‌شوند.

(۳) اگر این رابطه به سه رابطه  $R_1$  (guest ID, roomNo, from, to),  $R_2$  (roomNo, roomCat),  $R_3$  (guestName, creditCard, و

roomNo, from) تجزیه شود، هر سه رابطه در 3NF و BCNF هستند و تجزیه بدون اتلاف (lossless decomposition) است.

(۴) اگر این رابطه به سه رابطه  $R_1$  (guest ID, guestName, creditCard),  $R_2$  (roomNo, roomCat),  $R_3$  (guestID, roomNo, و

from, to) تجزیه شود، هر سه رابطه در 3NF هستند ولی در BCNF نیستند.

۷۷- رابطه زیر و مجموعه وابستگی‌های تابعی آن را در نظر بگیرید:

$R(A, B, C, D, E, F, G, H)$   $F = \{D \rightarrow EF, F \rightarrow C, DG \rightarrow AB\}$

کدام یک از گزینه‌های زیر غلط است؟

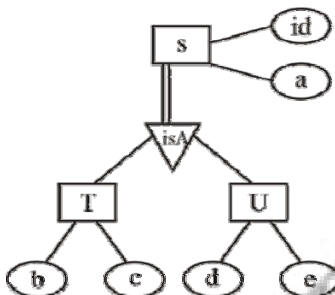
(۱) این رابطه ۳۲ ابرکلید دارد.

(۲) تنها کلید کاندید DGH است.

(۳) رابطه فوق در فرم نرمال دوم است.

(۴) رابطه فوق در نرمال فرم سوم نیست.

۷۸- قطعه زیر از یک نمودار موجودیت - رابطه را در نظر بگیرید:



کدام یک از مجموعه رابطه‌های زیر برای تبدیل این قطعه به مدل رابطه‌ای مناسب‌ترین است؟

(۱)  $T(id, a, b, c), U(id, a, d, e)$

(۲)  $S(id, a), T(id, b, c), U(id, d, e)$

(۳)  $R(id, a, b, c, d, e, Type)$  مقدار Type یکی از سه مقدار S, T یا U می‌باشد.

(۴)  $S(id, a, b, c, d, e, isT, isU)$  دو مقدار isT و isU مقادیر True یا False را می‌پذیرند.

۷۹- کدام یک از گزینه‌های زیر در مورد جداول مجازی درست است؟

(۱) تغییرات جدول مجازی از طریق تغییرات در جداول اصلی رخ می‌دهد.

(۲) جداول مجازی در حافظه وجود خارجی دارند ولی در دیسک سخت ذخیره نمی‌شوند.

(۳) بروزرسانی جداول مجازی در همه شرایط مستقل از نوع تعریف جدول مجازی، امکان‌پذیر است.

(۴) هدف از ایجاد جدول مجازی تنها ساخت جداول خلاصه برای افزایش سرعت جستجو است.

۸۰- کدام یک از گزینه‌های زیر برای چک کردن این که آیا وابستگی تابعی  $b \rightarrow c$  در رابطه  $R(a, b, c, d)$  رعایت می‌شود غلط است؟

(۱)

Create assertion b-to-c check (

Not exists

(select b

from r

Group by b

having count(c) > 1

)

)

(۲)

Create assertion b-to-c check (

not exists

(select b

From r as r1, r as r2

where r1.b = r2.b AND not (r1.c = r2.c)

)

)

- ۳) کافی است که در زمان ایجاد جدول (create table)، به شرط آن که b کلید رابطه R نیز باشد، این تعریف را نیز اضافه کنیم: primary key (b)  
۴) کافی است که یک materialized view روی دو صفت b و c تعریف کنیم و مشخص کنیم که b کلید است.  
۸۱- با توجه به دو گزاره زیر کدام یک از گزینه‌های زیر صحیح است؟  
۱) اگر K1 و K2 کلیدهای کاندید در رابطه r باشند، آن گاه  $K1 \cup K2$  نیز یک کلید کاندید در رابطه r است.  
۲) اگر K1 و K2 ابرکلیدهای (super key) در رابطه r باشند، آن گاه  $K1 \cap K2$  نیز یک کلید کاندید در رابطه r است.  
۱) هر دو گزاره صحیح هستند.  
۲) هر دو گزاره غلط هستند.  
۳) تنها گزاره دوم صحیح است.  
۴) تنها گزاره اول صحیح است.

۸۲- فرض کنیم  $h_1(n), h_2(n)$  و  $h_3(n)$  سه تابع مکاشفه‌ای قابل قبول باشند. یک الگوریتم  $A^*$  با کدامی از توابع  $h(n)$  زیر جواب بهینه را تولید می‌کند؟

$$h(n) = h_1(n) + h_2(n) + h_3(n) \quad (۱)$$

$$h(n) = h_1(n) * h_2(n) * h_3(n) \quad (۲)$$

$$h(n) = \max(\min(h_1(n), h_2(n), h_3(n)), h_1(n) * h_2(n) * h_3(n), h_1(n) + h_2(n) + h_3(n)) \quad (۳)$$

$$h(n) = \min(\max(h_1(n), h_2(n), h_3(n)), h_1(n) * h_2(n) * h_3(n), h_1(n) + h_2(n) + h_3(n)) \quad (۴)$$

۸۳- در صورتی که در جستجوی درخت‌های بازی، ترتیب پیمایش گره‌ها از چپ به راست، به راست به چپ تغییر کند، کدام گزاره‌ی زیر صحیح است؟

- ۱) مقدار بیشینه برای گره‌ی ریشه ثابت می‌ماند، تعداد گره‌های هرس شده توسط آلفا - بتا ثابت می‌ماند.  
۲) مقدار بیشینه برای گره‌ی ریشه ثابت می‌ماند، تعداد گره‌های هرس شده توسط هرس آلفا - بتا ممکن است تغییر نماید.  
۳) مقدار بیشینه برای گره‌ی ریشه ممکن است تغییر نماید، تعداد گره‌های هرس شده توسط هرس آلفا - بتا ممکن است تغییر نماید.  
۴) مقدار بیشینه برای گره‌ی ریشه ممکن است تغییر نماید، تعداد گره‌های هرس شده توسط هرس آلفا - بتا ثابت می‌ماند.  
۸۴- با فرض داشتن جملات زیر در پایگاه دانش، با استفاده از قوانین استنتاج، کدام یک از موارد زیر اثبات می‌شود؟

$$A \Rightarrow B \wedge C$$

$$C \Rightarrow D \vee E \vee F$$

$$B \Rightarrow D \wedge E$$

A

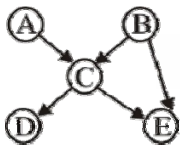
(۴) هیچ کدام

(۳)  $C \vee E$

(۲) F

(۱) B

۸۵- برای شبکه بی‌زین (Bayesian network) روبه‌رو، احتمال  $P(A, B, C, D, E)$  برابر کدام است؟



$$P(C|D, E)P(B|C, E)P(A|C) \quad (۲)$$

$$P(C|A, B)P(E|B, C)P(D|C) \quad (۱)$$

$$P(D)P(E)P(C|D, E)P(B|C, E)P(A|C) \quad (۴)$$

$$P(A)P(B)P(C|A, B)P(D|C)P(E|C, B) \quad (۳)$$

۸۶- اگر در یک جامعه ۲۰٪ مردم چاق (FAT) هستند در همان جامعه ۸٪ مردم دارای مرض قند (Diabetes) می‌باشند. هم‌چنین ۳۰٪ افراد چاق دارای مرض قند می‌باشند بر اساس قوانین توماس بی‌ز (Bayesian) چند درصد از مردم هم چاق هستند و هم مرض قند دارند؟

(۴) ۱۵

(۳) ۶۰

(۲) ۷/۵

(۱) ۶

۸۷- کدام یک از زوج عبارات زیر قابل یکسان‌سازی (unification) هستند؟ (حروف کوچک متغیر هستند.)

$$F(x, G(A, G(x))), F(G(B), G(y, x)) \quad (۲)$$

$$F(G(z, Z), A), F(G(y, G(y, A)), A) \quad (۱)$$

$$F(x, G(x, w)), F(G(z), G(w, G(A))) \quad (۴)$$

$$F(x, G(y, G(A, x))), F(y, G(U, G(U, B))) \quad (۳)$$

۸۸- کدام یک از انواع برنامه‌ریزها وظیفه فعال‌سازی و تعلیق فرآیندها را به عهده دارد؟

(۲) Long - term scheduler

(۱) Prioritized scheduler

(۴) Short - term scheduler

(۳) Medium - term scheduler

۸۹- هدف اصلی از عملیات dual - mode چیست؟

- (۱) تشخیص خطاها  
 (۲) کاهش توان مصرفی کامپیوتر  
 (۳) توانایی سیستم عامل در کنترل پردازنده  
 (۴) محافظت سیستم عامل از دیگر نرم‌افزارها

۹۰- کدام یک از گزینه‌های زیر درباره مدیریت حافظه با روش صفحه‌بندی درست نیست؟

- (۱) کاهش اندازه صفحه سبب کاهش زمان سرویس نقس صفحه می‌شود.  
 (۲) کاهش اندازه صفحه سبب افزایش بهره‌وری حافظه و افزایش زمان I/O می‌شود.  
 (۳) کاهش اندازه صفحه سبب کاهش تکه‌تکه شدن خارجی (external fragmentation) حافظه می‌شود.  
 (۴) کاهش اندازه صفحه سبب کاهش تکه‌تکه شدن داخلی (internal fragmentation) حافظه می‌شود.

۹۱- الگوریتم در یک راه‌حل نرم‌افزاری برای حل مسئله بحرانی برای دو فرآیند است. در این راه‌حل هر دو فرآیند تلاش می‌کنند بی‌نهایت بار وارد ناحیه بحرانی شوند. هر فرآیند برای ورود به ناحیه بحرانی تابع Wait (i) و برای خروجی از ناحیه بحرانی تابع Signal را فراخوانی می‌نماید که  $i \in \{0,1\}$  شماره فرآیند است. Turn یک متغیر از نوع عدد صحیح و دارای مقدار اولیه یک و c یک آرایه با طول ۲ از متغیرهای دودویی است که با مقدار true پر شده است.

```

Wait(i){
    c[i] = true;
    turn = 1 - i;
}
while(c[i] && turn = 1 - i) do;
}

Signal(i){
    c[i] = false;
}
    
```

کدام یک از گزینه‌های زیر دست نیست؟

- (۱) این راه‌حل همه شرایط ناحیه بحرانی را برآورد می‌کند.  
 (۲) این راه‌حل تنها شرط انتظار محدود را برآورد می‌کند.  
 (۳) این راه‌حل تنها استفاده انحصاری از ناحیه بحرانی را برآورد می‌کند.  
 (۴) این راه‌حل تنها شرط پیشرفت را برآورد می‌کند.

۹۲- در یک سیستم مدیریت حافظه که به فناوری copy - on - write مجهز است پس از تولید تعدادی فرزند توسط یک فرآیند، کدام گزینه زیر درست است؟

- (۱) هر یک از فرزندان و یا فرآیند اصلی در هر لحظه می‌توانند به کار خود پایان دهند.  
 (۲) فرآیند پدر در صورتی می‌تواند به کار خود پایان دهد که فرزندان همه صفحه‌های مربوط به خود را تغییر داده باشند.  
 (۳) فرآیند پدر در صورتی می‌تواند به کار خود پایان دهد که دست‌کم یک فرزند یکی از صفحه‌های خود را تغییر داده باشند.  
 (۴) هر سه پاسخ درست است.

۹۳- اگر در یک پردازنده دو هسته‌ای از زمان‌های انتظار نخها (Threads) برای عملیات حافظه (Memory Stall) جهت سیکل

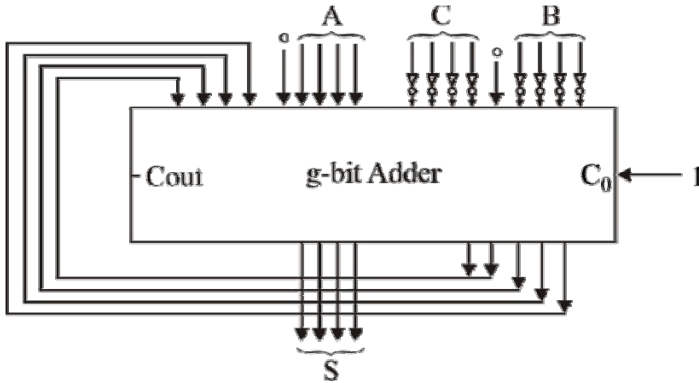
محاسباتی سایر نخها استفاده شود، بهترین ترکیب تخصیص چهار نخ زیر به هسته‌ها برای کاهش زمان تأخیر چگونه خواهد بود؟  
 توضیح: سیکل محاسباتی هر نخ با C و سیکل حافظه با M نشان داده شده و مدت زمان هر سیکل به ثانیه زیر آن نشان داده شده است. پردازنده اجرای سیکل C را تا زمانی ادامه می‌دهد که به سیکل M برسد و پس از آن سیکل C نخ دیگری را اجرا می‌نماید.

$T_1$	C	M	C	M
	4	3	7	3
$T_2$	C	M	C	M
	5	2	6	2
$T_3$	C	M	C	M
	2	6	4	6
$T_4$	C	M	C	M
	2	2	2	2

- (۲)  $T_1$  و  $T_3$  روی هسته اول، بقیه روی هسته دوم  
 (۴)  $T_2$  و  $T_4$  روی هسته اول، بقیه روی هسته دوم

- (۱)  $T_1$  و  $T_2$  روی هسته اول، بقیه روی هسته دوم  
 (۳)  $T_1$  و  $T_4$  روی هسته اول، بقیه روی هسته دوم

۹۴- اعداد چهار بیتی A، B و C (در نمایش مکمل ۲) مفروض اند. خروجی S تولید شده توسط مدار زیر کدام است؟



$$S = A - (B + C) \quad (۲)$$

(۴) مدار مشکل race دارد.

$$S = A + \bar{B} - C + 1 \quad (۱)$$

$$S = A - B - C - 1 \quad (۳)$$

۹۵- کدام عبارت در مورد روش‌های طراحی مدار کنترل صحیح است؟

(۱) روش ریز برنامه‌سازی فقط در طراحی مدرا کنترل ریزپردازنده‌ها کاربرد دارد.

(۲) در روش‌های طراحی واحد کنترل سیم‌بندی شده، ایجاد تغییر به سادگی قابل انجام است (نسبت به روش برنامه‌سازی)

(۳) استفاده از حافظه کنترل نانو به دلیل محدودیت تعداد الگوهای مورد استفاده در کلمه کنترل باعث صرفه‌جویی در ریز حافظه (micromemory) می‌شود

(۴) به دلیل محدودیت تعداد الگوهای مورد استفاده در کلمه کنترل، استفاده از ریز دستورالعمل‌های عمودی (Vertical  $\mu$  Instruction) می‌تواند در کاهش طور ریز دستور مفید باشد.

۹۶- کدام عبارت در مورد سیاست‌های جایگزینی بلوک (Replacement Policy) در حافظه نهان صحیح است؟

(۱) سیاست LRU دارای ناهنجاری (abnomaly) است.

(۲) سیاست LRU از نوع پشته‌ای (Stack) است.

(۳) در سیاست FIFO با اضافه شدن تعداد بلوک‌های مجموعه، نرخ برخورد افزایش پیدا می‌کند.

(۴) سیاست FIFO برای اندازه مجموعه ۴ بلوک، بهترین نتیجه را می‌دهد.

۹۷- مجموعه زیر عمل‌های زیر برای اجرای یک دستور در یک کامپیوتر پایه تعریف شده‌اند. کدام گزینه، عملکرد این دستور را نشان می‌دهد؟

$$D_1T_4 : DR \leftarrow M[AR]$$

$$D_1T_5 : AC \leftarrow \overline{AC}, TR \leftarrow AC, DR \leftarrow DR + 1$$

$$D_1T_6 : AC \leftarrow DR + AC, E \leftarrow Cout$$

$$D_1T_7 : M[AR] \leftarrow AC, E \leftarrow \bar{E}$$

$$D_1T_8 : DR \leftarrow TR$$

$$D_1T_9 : AC \leftarrow DR, SC \leftarrow 0$$

تذکر: EA = Effective Address

$$AC \leftarrow M[EA] - AC \quad (۲)$$

$$AC \leftarrow AC - M[EA] \quad (۴)$$

$$M[EA] \leftarrow M[EA] - AC \quad (۱)$$

$$M[EA] \leftarrow AC - M[EA] \quad (۳)$$

۹۸- در یک پردازنده با واحد کنترل زیر برنامه‌سازی شده‌ی پویا، می‌توان از ..... (A) ..... به جای ..... (B) ..... به عنوان حافظه‌ی کنترل استفاده نمود. در این صورت، این حافظه فضای ..... (C) ..... را اشغال کرده و هم‌چنین سرعت واحد کنترل زیر برنامه‌سازی شده‌ی پویا نسبت به مشابه ایستای آن ..... (D) ..... خواهد بود.

(۱) ROM = A RAM = B C = کمتری D = بیشتر

(۲) RAM = A ROM = B C = کمتری D = بیشتر

(۳) RAM = A ROM = B C = بیشتری D = کمتر

(۴) ROM = A RAM = B C = بیشتری D = کمتر

۹۹- شکل زیر یک انتقال ..... با استفاده از دست‌دهی (handshake) با آغازش از سوی ..... را نشان می‌دهد.

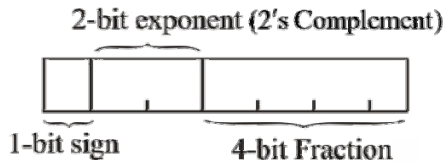


- (۱) همگام - مبدأ
- (۲) همگام - مقصد
- (۳) ناهمگام - مقصد
- (۴) ناهمگام - مبدأ

۱۰۰- کامپیوتری دارای دستورات عمل‌های ۳۲ بیتی و آدرس‌های ۱۲ بیتی است. فرض کنید ۲۵۰ دستورالعمل دو آدرسه وجود داشته باشد. حداکثر تعداد دستورات عمل‌های یک آدرسه چه تعداد می‌تواند باشد؟ توجه: شیوه نشان‌دهی مستقیم است.

- (۱) ۲۶۲
- (۲) ۱۰۳۰
- (۳)  $6 \times 2^{12}$
- (۴) با داده‌های موجود قابل تعیین نیست.

۱۰۱- در یک سیستم اعداد ممیز شناور با فرمت زیر پردازش می‌شوند.



دو بخش Fraction فقط بیت‌های بعد از ممیز قرار می‌گیرند و مقدار آن با عدد ۱ جمع می‌شود بزرگ‌ترین عدد قابل نمایش در این سیستم کدام است؟

- (۱) ۱/۹۳۷۵
- (۲) ۳/۸۷۵
- (۳) ۷/۷۵
- (۴) ۳/۹۳۷۵

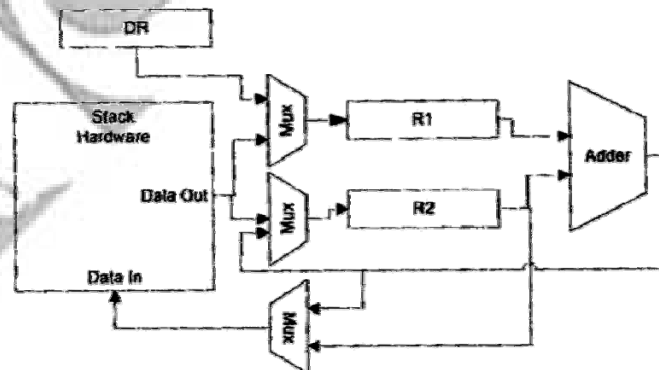
۱۰۲- در مجموعه دستورات یک پردازنده با معماری RISC شیوه آدرس‌دهی غیرمستقیم (memory indirect) وجود ندارد. برای جمع دو عدد که آدرس آن‌ها در بانک ثبات‌ها وجود دارند و ریختن نتیجه جمع در یکی از خانه‌های بانک ثبات به چند دسترسی به حافظه نیاز است؟

- (۱) ۲
- (۲) ۳
- (۳) ۶
- (۴) ۴

۱۰۳- در یک پردازنده کدام یک از عوامل زیر می‌تواند قطعاً به بهبود کارایی منجر شود؟

- (۱) انتقال تکنولوژی از ۶۵ نانومتر به ۴۵ نانومتر
- (۲) افزایش تعداد خانه‌های بانک ثبات
- (۳) افزایش حجم حافظه نهان
- (۴) افزایش عرض ثبات‌ها در بانک ثبات

۱۰۴- قسمتی از مسیر داده (Data Path) یک پردازنده پشته‌ای (Stack based) به شکل زیر است. دستور Add#100 مقدار عدد ثابت داده شده در دستور را با مقدار کلمه‌ای که در بالای پشته است جمع کرده و نتیجه را به جای آن قرار می‌دهد. برای فقط اجرای (execute) این دستور، در این مسیر داده حداقل چند کلاک لازم است؟ فرض کنید قبل از شروع بخش اجرای دستورالعمل، مقدار ثابت مورد نظر، یعنی عدد 100 در این دستور، در DR قرار دارد. هر ثبات دارای کنترل‌های سنکرون Load، Increment و Clear است. سخت‌افزار پشته دارای کنترل سنکرون Push / Pop است و در هر کلاک می‌تواند یک عملیات Push یا Pop را انجام دهد.



- (۱) ۱
- (۲) ۲
- (۳) ۴
- (۴) ۳

۱۰۵- می‌خواهیم در یک سیستم حافظه مجازی به جای Page Table از یک جدول نگاشت Fully Associative (مشابه نحوه عملکرد نگاشت در حافظه نهان) برای تبدیل آدرس‌های مجازی به آدرس‌های فیزیکی استفاده کنیم. این جدول مشابه Cache در درون پردازنده جاسازی شده است و به ازای هر صفحه حافظه فیزیکی، یک سطر دارد که tag صفحه‌ای از حافظه مجازی را که به این صفحه حافظه فیزیکی نگاشت شده است، در خود نگاه می‌دارد. کدام جمله صحیح نیست؟

- (۱) نگاشت سریع‌تر انجام می‌شود.
- (۲) حجم جدول مورد نیاز برای نگاشت خیلی کم‌تر می‌شود.
- (۳) نمی‌توان یک صفحه دلخواه حافظه مجازی را در هر یک از صفحات حافظه فیزیکی قرار داد.
- (۴) با افزایش حجم حافظه فیزیکی، لازم می‌شود که حجم جدول فوق در داخل پردازنده افزایش پیدا کند